

# MAGNOLIA 60" DOUBLE SINK CABINET

# ARIEL

S061D



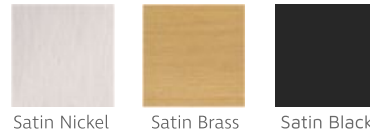
## BASE CABINET DIMENSIONS

60" W x 21.5" D x 34.5" H

## FEATURES

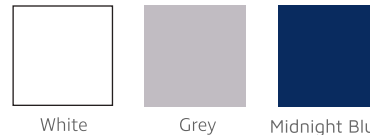
- Solid wood frame & plywood panels
- Dovetail drawers and joints
- Soft closing doors & drawers

## HARDWARE FINISHES



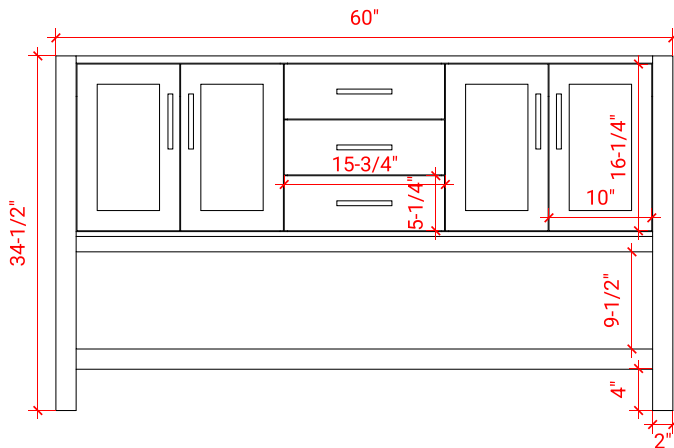
Satin Nickel Satin Brass Satin Black

## AVAILABLE COLORS

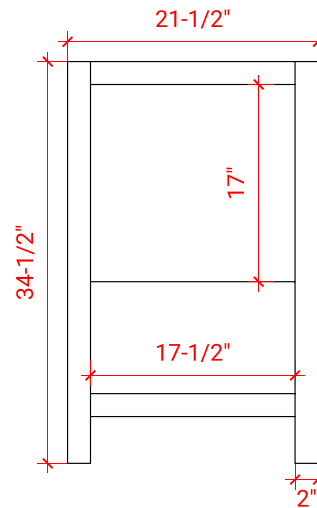


White Grey Midnight Blue

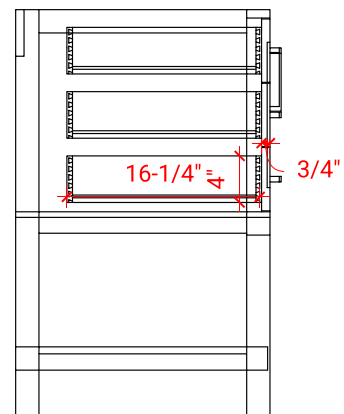
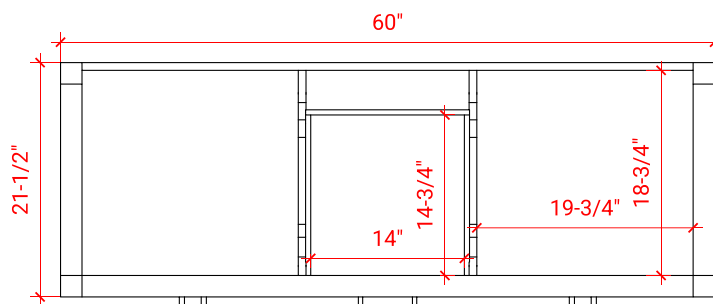
FRONT VIEW



SIDE VIEW



PLAN VIEW



# 61" DOUBLE RECTANGLE SINK THIN COUNTERTOP



## OVERALL DIMENSIONS

61" W x 22" D x 1.5" H

## COUNTERTOP OPTIONS



Carrara Marble  
CW-061D-REC-CT



White Quartz  
WQ-061D-REC-CT

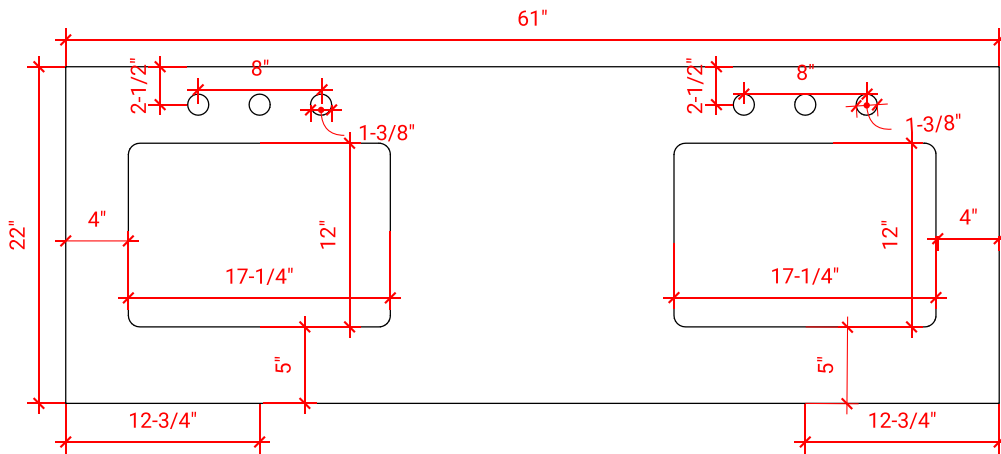
## FEATURES

- Solid countertop with mitered edges & seams
- Undermount white rectangular sink
- Pre-drilled for 8" widespread faucet

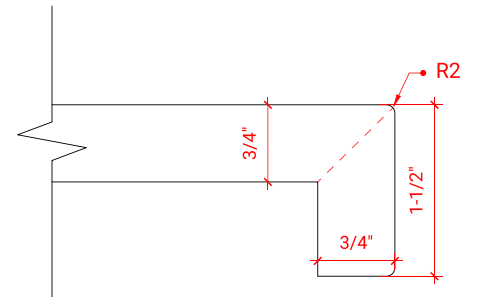
## INCLUDED

- Countertop
- Matching Backsplash
- Sink

## COUNTERTOP PLAN VIEW



## EDGE SIDE VIEW



## THREE DIMENSIONAL COUNTERTOP VIEW

