

MAGNOLIA 72" DOUBLE SINK CABINET

ARIEL

S072D

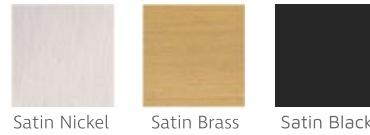
BASE CABINET DIMENSIONS

72" W x 21.5" D x 34.5" H

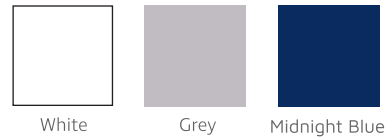
FEATURES

- Solid wood frame & plywood panels
- Dovetail drawers and joints
- Soft closing doors & drawers

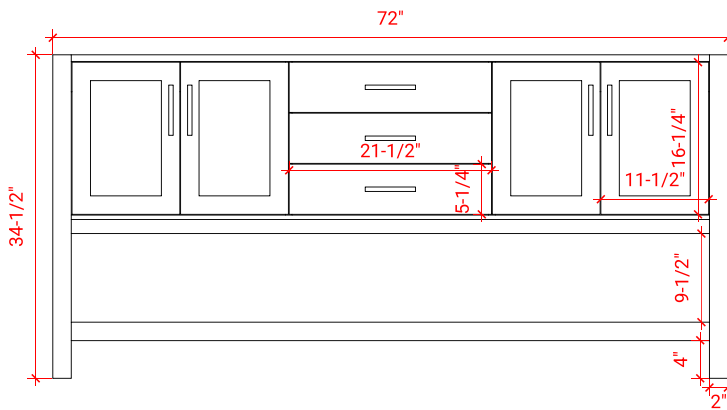
HARDWARE FINISHES



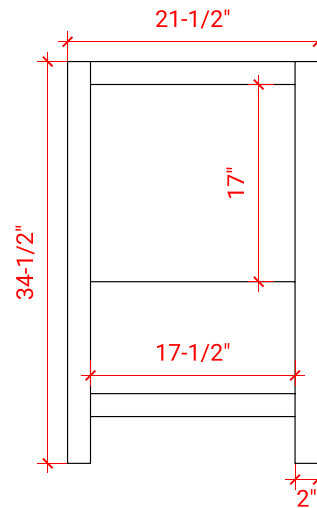
AVAILABLE COLORS



FRONT VIEW



SIDE VIEW



PLAN VIEW

